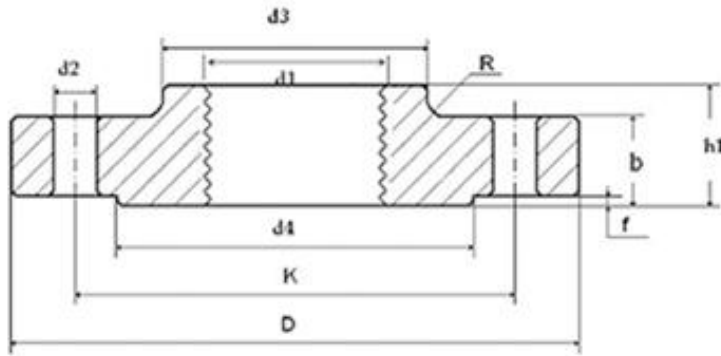




EN 1092-1 TYPE 13 THREADED FLANGE PN6, PN16



EN 1092-1 TYPE 13 PN6 THREADED FLANGE													
Rated Diameter	Flange						Neck	Raised face		Screws			Weight (7,85 Kg/dm ³)
	d1	Thread	k	D	b	h1	d3	d4	f	d2	Thread	Bolt holes	KG
15	21,3	R 1/2"	55	80	12	20	30,0	40,0	2,0	11	M10	4	0,373
20	26,9	R 3/4"	65	90	14	24	40,0	50,0	2,0	11	M10	4	0,584
25	33,7	R 1"	75	100	14	24	50,0	60,0	2,0	11	M10	4	0,729
32	42,4	R 1-1/4"	90	120	14	26	60,0	70,0	2,0	14	M12	4	1,040
40	48,3	R 1-1/2"	100	130	14	26	70,0	80,0	3,0	14	M12	4	1,200
50	60,3	R 2"	110	140	14	28	80,0	90,0	3,0	14	M12	4	1,340
65	76,1	R 2-1/2"	130	160	14	32	100,0	110,0	3,0	14	M12	4	1,830
80	88,9	R 3"	150	190	16	34	110,0	128,0	3,0	18	M16	4	2,750
100	114,3	R 4"	170	210	16	40	130,0	148,0	3,0	18	M16	4	3,010
125	139,7	R 5"	200	240	18	44	160,0	178,0	3,0	18	M16	8	4,300
150	168,3	R 6"	225	265	18	44	185,0	202,0	3,0	18	M16	8	4,630
1. SURFACE FINISH FACING TYPES A, B1, B2 etc													
2. FLANGE MARKING: LOGO EN 1092-1 / 13 / DN100 / PN6 / P245GH / HEAT NUMBER													

EN 1092-1 TYPE 13 PN16 THREADED FLANGE

Rated Diameter	Flange						Neck	Raised face		Screws			Weight (7,85 Kg/dm3)
	d1	Thread	k	D	b	h1	d3	d4	f	d2	Thread	Bolt holes	KG
15	21,3	R 1/2"	65	95	16	22	35,0	45,0	2,0	14	M12	4	0,722
20	26,9	R 3/4"	75	105	18	26	45,0	58,0	2,0	14	M12	4	1,040
25	33,7	R 1"	85	115	18	28	52,0	68,0	2,0	14	M12	4	1,250
32	42,4	R 1-1/4"	100	140	18	30	60,0	78,0	2,0	18	M16	4	1,810
40	48,3	R 1-1/2"	110	150	18	32	70,0	88,0	3,0	18	M16	4	2,060
50	60,3	R 2"	125	165	18	28	84,0	102,0	3,0	18	M16	4	2,390
65	76,1	R 2-1/2"	145	185	18	32	104,0	122,0	3,0	18	M16	4	2,970
80	88,9	R 3"	160	200	20	34	118,0	138,0	3,0	18	M16	8	3,780
100	114,3	R 4"	180	220	20	40	140,0	158,0	3,0	18	M16	8	4,380
125	139,7	R 5"	210	250	22	44	168,0	188,0	3,0	18	M16	8	6,070
150	168,3	R 6"	240	285	22	44	195,0	212,0	3,0	22	M20	8	7,240

1. SURFACE FINISH FACING TYPES A, B1, B2 etc

2. FLANGE MARKING: LOGO EN 1092-1 / 13 / DN100 / PN16 / P245GH / HEAT NUMBER