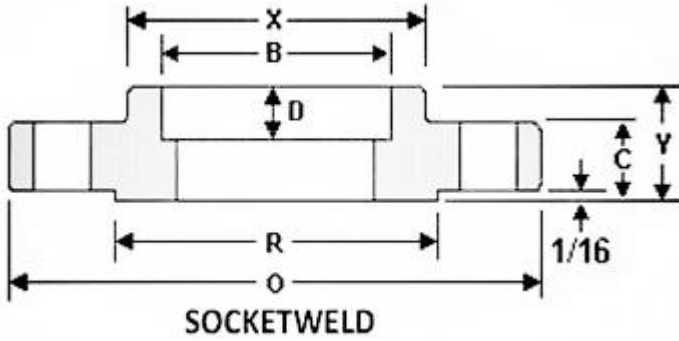




B16.5 SOCKET WELD FLANGE CLASS 600



ANSI, ASME, ASA B16.5 600lb/sq.in. SOCKET WELD FLANGE RF

Nominal Size		Outside Diam.	Thick. of Flange	Diam. of Raised Face	Diam of Hub at Base	Length Thru Hub	Diam. of Bore	Depth of Socket	No. of Holes	Diam. of Holes	Diam. of Bolts	Diam. of Bolt Circle	Approx. Weight Pounds Kg
		O	C	R	X	Y	B	D					
1/2"	in.	3.75	0.56	1.38	1.5	0.88	0.88	0.38	4	0.62	1/2	2.62	2
	mm.	95.3	14.2	35.1	38.1	22.4	22.4	9.7		15.7	12.7	66.5	1
3/4"	in.	4.62	0.62	1.69	1.88	1	1.09	0.44	4	0.75	5/8	3.25	3
	mm.	117.3	15.7	42.9	47.8	25.4	27.7	11.2		19.1	15.9	82.6	1
1"	in.	4.88	0.69	2	2.12	1.06	1.36	0.5	4	0.75	5/8	3.5	4
	mm.	124	17.5	50.8	53.8	26.9	34.5	12.7		19.1	15.9	88.9	2
1 1/4"	in.	5.25	0.81	2.5	2.5	1.12	1.7	0.56	4	0.75	5/8	3.88	5
	mm.	133.4	20.6	63.5	63.5	28.4	43.2	14.2		19.1	15.9	98.6	2
1 1/2"	in.	6.12	0.88	2.88	2.75	1.25	1.95	0.62	4	0.88	3/4	4.5	7
	mm.	155.4	22.4	73.2	69.9	31.8	49.5	15.7		22.4	19.1	114.3	3
2"	in.	6.5	1	3.62	3.31	1.44	2.44	0.69	8	0.75	5/8	5	9
	mm.	165.1	25.4	91.9	84.1	36.6	62	17.5		19.1	15.9	127	4
2 1/2"	in.	7.5	1.12	4.12	3.94	1.62	2.94	0.75	8	0.88	3/4	5.88	13
	mm.	190.5	28.4	104.6	100.1	41.1	74.7	19.1		22.4	19.1	149.4	6
3"	in.	8.25	1.25	5	4.62	1.81	3.57	0.81	8	0.88	3/4	6.62	16
	mm.	209.6	31.8	127	117.3	46	90.7	20.6		22.4	19.1	168.1	7
3 1/2"	in.	9	1.38	5.5	5.25	1.94	4.07		8	1	7/8	7.25	21
	mm.	228.6	35.1	139.7	133.4	49.3	103.4			25.4	22.2	184.2	10
4"	in.	10.75	1.5	6.19	6	2.12	4.57		8	1	7/8	8.5	37

	mm.	273.1	38.1	157.2	152.4	53.8	116.1			25.4	22.2	215.9	17
5"	in.	13	1.75	7.31	7.44	2.38	5.66		8	1.12	1	10.5	63
	mm.	330.2	44.5	185.7	189	60.5	143.8			28.4	25.4	266.7	29
6"	in.	14	1.88	8.5	8.75	2.62	6.72		12	1.12	1	11.5	80
	mm.	355.6	47.8	215.9	222.3	66.5	170.7			28.4	25.4	292.1	36
8"	in.	16.5	2.19	10.62	10.75	3	8.72		12	1.25	1 1/8	13.75	115
	mm.	419.1	55.6	269.7	273.1	76.2	221.5			31.8	28.6	349.3	52
10"	in.	20	2.5	12.75	13.5	3.38	10.88		16	1.38	1 1/4	17	170
	mm.	508	63.5	323.9	342.9	85.9	276.4			35.1	31.8	431.8	77
12"	in.	22	2.62	15	15.75	3.62	12.88		20	1.38	1 1/4	19.25	200
	mm.	558.8	66.5	381	400.1	91.9	327.2			35.1	31.8	489	91
14"	in.	23.75	2.75	16.25	17	3.69	14.14		20	1.5	1 3/8	20.75	230
	mm.	603.3	69.9	412.8	431.8	93.7	359.2			38.1	34.9	527.1	104
16"	in.	27	3	18.5	19.5	4.19	16.16		20	1.62	1 1/2	23.75	330
	mm.	685.8	76.2	469.9	495.3	106.4	410.5			41.1	38.1	603.3	150
18"	in.	29.25	3.25	21	21.5	4.62	18.18		20	1.75	1 5/8	25.75	400
	mm.	743	82.6	533.4	546.1	117.3	461.8			44.5	41.3	654.1	181
20"	in.	32	3.5	23	24	5	20.2		24	1.75	1 5/8	28.5	510
	mm.	812.8	88.9	584.2	609.6	127	513.1			44.5	41.3	723.9	231
24"	in.	37	4	27.25	28.25	5.5	24.25		24	2	1 7/8	33	730
	mm.	939.8	101.6	692.2	717.6	139.7	616			50.8	47.6	838.2	331