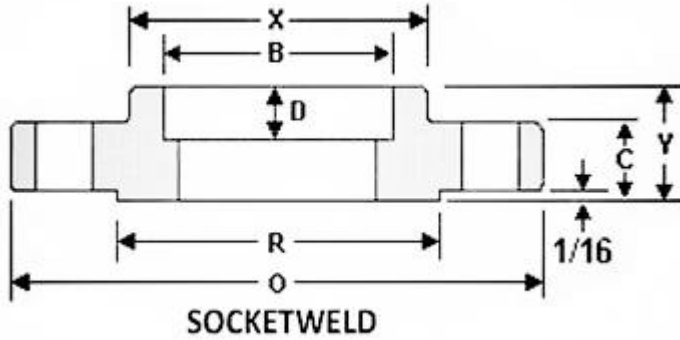




B16.5 SOCKET WELD FLANGE CLASS 300



ANSI, ASME, ASA B16.5 300lb/sq.in. SOCKET WELD FLANGE RF

Nominal Size		Outside Diam.	Thick. of Flange	Diam. of Raised Face	Diam of Hub at Base	Length Thru Hub	Diam. of Bore	Depth of Socket	No. of Holes	Diam. of Holes	Diam. of Bolts	Diam. of Bolt Circle	Approx. Weight Pounds Kg
		O	C	R	X	Y	B	D					
1/2"	in.	3.75	0.56	1.38	1.5	0.88	0.88	0.38	4	0.62	1/2	2.62	2
	mm.	95.3	14.2	35.1	38.1	22.4	22.4	9.7		15.7	12.7	66.5	1
3/4"	in.	4.62	0.62	1.69	1.88	1	1.09	0.44	4	0.75	5/8	3.25	3
	mm.	117.3	15.7	42.9	47.8	25.4	27.7	11.2		19.1	15.9	82.6	1
1"	in.	4.88	0.69	2	2.12	1.06	1.36	0.5	4	0.75	5/8	3.5	3
	mm.	124	17.5	50.8	53.8	26.9	34.5	12.7		19.1	15.9	88.9	1
1 1/4"	in.	5.25	0.75	2.5	2.5	1.06	1.7	0.56	4	0.75	5/8	3.88	4
	mm.	133.4	19.1	63.5	63.5	26.9	43.2	14.2		19.1	15.9	98.6	2
1 1/2"	in.	6.12	0.81	2.88	2.75	1.19	1.95	0.62	4	0.88	3/4	4.5	6
	mm.	155.4	20.6	73.2	69.9	30.2	49.5	15.7		22.4	19.1	114.3	3
2"	in.	6.5	0.88	3.62	3.31	1.31	2.44	0.69	8	0.75	5/8	5	7
	mm.	165.1	22.4	91.9	84.1	33.3	62	17.5		19.1	15.9	127	3
2 1/2"	in.	7.5	1	4.12	3.94	1.5	2.94	0.75	8	0.88	3/4	5.88	10
	mm.	190.5	25.4	104.6	100.1	38.1	74.7	19.1		22.4	19.1	149.4	5
3"	in.	8.25	1.12	5	4.62	1.69	3.57	0.81	8	0.88	3/4	6.62	13
	mm.	209.6	28.4	127	117.3	42.9	90.7	20.6		22.4	19.1	168.1	6
3 1/2"	in.	9	1.19	5.5	5.25	1.75	4.07		8	0.88	3/4	7.25	17
	mm.	228.6	30.2	139.7	133.4	44.5	103.4			22.4	19.1	184.2	8
4"	in.	10	1.25	6.19	5.75	1.88	4.57		8	0.88	3/4	7.88	22

	mm.	254	31.8	157.2	146.1	47.8	116.1			22.4	19.1	200.2	10
5"	in.	11	1.38	7.31	7	2	5.66		8	0.88	3/4	9.25	28
	mm.	279.4	35.1	185.7	177.8	50.8	143.8			22.4	19.1	235	13
6"	in.	12.5	1.44	8.5	8.12	2.06	6.72		12	0.88	3/4	10.62	39
	mm.	317.5	36.6	215.9	206.2	52.3	170.7			22.4	19.1	269.7	18
8"	in.	15	1.62	10.62	10.25	2.44	8.72		12	1	7/8	13	58
	mm.	381	41.1	269.7	260.4	62	221.5			25.4	22.2	330.2	26
10"	in.	17.5	1.88	12.75	12.62	2.62	10.88		16	1.12	1	15.25	81
	mm.	444.5	47.8	323.9	320.5	66.5	276.4			28.4	25.4	387.4	37
12"	in.	20.5	2	15	14.75	2.88	12.88		16	1.25	1 1/8	17.75	115
	mm.	520.7	50.8	381	374.7	73.2	327.2			31.8	28.6	450.9	52
14"	in.	23	2.12	16.25	16.75	3	14.14		20	1.25	1 1/8	20.25	165
	mm.	584.2	53.8	412.8	425.5	76.2	359.2			31.8	28.6	514.4	75
16"	in.	25.5	2.25	18.5	19	3.25	16.16		20	1.38	1 1/4	22.5	190
	mm.	647.7	57.2	469.9	482.6	82.6	410.5			35.1	31.8	571.5	86
18"	in.	28	2.38	21	21	3.5	18.18		24	1.38	1 1/4	24.75	250
	mm.	711.2	60.5	533.4	533.4	88.9	461.8			35.1	31.8	628.7	113
20"	in.	30.5	2.5	23	23.12	3.75	20.2		24	1.38	1 1/4	27	315
	mm.	774.7	63.5	584.2	587.2	95.3	513.1			35.1	31.8	685.8	143
24"	in.	36	2.75	27.25	27.62	4.19	24.25		24	1.62	1 1/2	32	475
	mm.	914.4	69.9	692.2	701.5	106.4	616			41.1	38.1	812.8	215