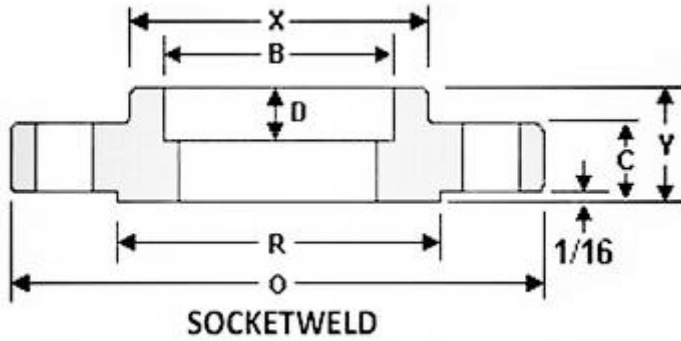




B16.5 SOCKET WELD FLANGE CLASS 1500



ANSI, ASME, ASA B16.5 1500lb/sq.in. SOCKET WELD FLANGE RF

Nominal Size		Outside Diam.	Thick. of Flange	Diam. of Raised Face	Diam of Hub at Base	Length Thru Hub	Diam. of Bore	Depth of Socket	No. of Holes	Diam. of Holes	Diam. of Bolts	Diam. of Bolt Circle	Approx. Weight Pounds Kg
		O	C	R	X	Y	B	D					
1/2"	in.	4.75	0.88	1.38	1.5	1.25	0.88	0.38	4	0.88	3/4	3.25	4
	mm.	120.7	22.4	35.1	38.1	31.8	22.4	9.7		22.4	19.1	82.6	2
3/4"	in.	5.12	1	1.69	1.75	1.38	1.09	0.44	4	0.88	3/4	3.5	5
	mm.	130	25.4	42.9	44.5	35.1	27.7	11.2		22.4	19.1	88.9	2
1"	in.	5.88	1.12	2	2.06	1.62	1.36	0.5	4	1	7/8	4	8
	mm.	149.4	28.4	50.8	52.3	41.1	34.5	12.7		25.4	22.2	101.6	4
1 1/4"	in.	6.25	1.12	2.5	2.5	1.62	1.7	0.56	4	1	7/8	4.38	9
	mm.	158.8	28.4	63.5	63.5	41.1	43.2	14.2		25.4	22.2	111.3	4
1 1/2"	in.	7	1.25	2.88	2.75	1.75	1.95	0.62	4	1.12	1	4.88	12
	mm.	177.8	31.8	73.2	69.9	44.5	49.5	15.7		28.4	25.4	124	5
2"	in.	8.5	1.5	3.62	4.12	2.25	2.44	0.69	8	1	7/8	6.5	25
	mm.	215.9	38.1	91.9	104.6	57.2	62	17.5		25.4	22.2	165.1	11
2 1/2"	in.	9.2	1.2	4.2	4.8	2.5	2.4	0.5	8	1.2	1	7.5	36
	mm.	244.3	41.1	104.6	124	63.5	74.7	19.1		28.4	25.4	190.5	16
3"	in.	10.5	1.88	5	5.25	2.88			8	1.25	1 1/8	8	48
	mm.	266.7	47.8	127	133.4	73.2				31.8	28.6	203.2	22
4"	in.	12.25	2.12	6.19	6.38	3.56			8	1.38	1 1/4	9.5	73
	mm.	311.2	53.8	157.2	162.1	90.4				35.1	31.8	241.3	33
5"	in.	14.75	2.88	7.31	7.75	4.12			8	1.62	1 1/2	11.5	130

	mm.	374.7	73.2	185.7	196.9	104.6				41.1	38.1	292.1	59
6"	in.	15.5	3.25	8.5	9	4.69			12	1.5	1 3/8	12.5	165
	mm.	393.7	82.6	215.9	228.6	119.1				38.1	34.9	317.5	75
8"	in.	19	3.62	10.62	11.5	5.62			12	1.75	1 5/8	15.5	260
	mm.	482.6	91.9	269.7	292.1	142.7				44.5	41.3	393.7	118
10"	in.	23	4.25	12.75	14.5	6.25			12	2	1 7/8	19	435
	mm.	584.2	108	323.9	368.3	158.8				50.8	47.6	482.6	197
12"	in.	26.5	4.88	15	17.75	7.12			16	2.12	2	22.5	580
	mm.	673.1	124	381	450.9	180.8				53.8	50.8	571.5	263
14"	in.	29.5	5.25	16.25	19.5				16	2.38	2 1/4	25	
	mm.	749.3	133.4	412.8	495.3					60.5	57.2	635	
16"	in.	32.5	5.75	18.5	21.75				16	2.62	2 1/2	27.75	
	mm.	825.5	146.1	469.9	552.5					66.5	63.5	704.9	
18"	in.	36	6.38	21	23.5				16	2.88	2 3/4	30.5	
	mm.	914.4	162.1	533.4	596.9					73.2	69.9	774.7	
20"	in.	38.75	7	23	25.25				16	3.12	3	32.75	
	mm.	984.3	177.8	584.2	641.4					79.2	76.2	831.9	
24"	in.	46	8	27.25	30				16	3.62	3 1/2	39	
	mm.	1168.4	203.2	692.2	762					91.9	88.9	990.6	