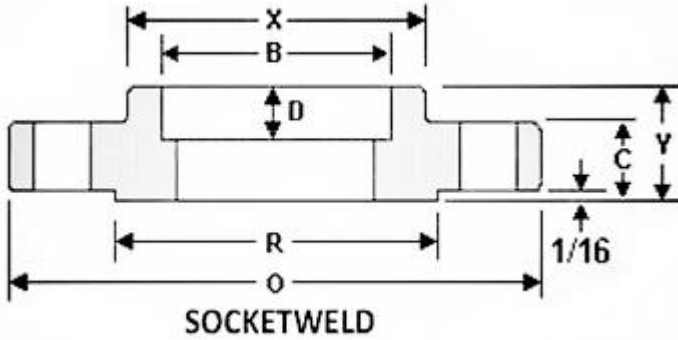




B16.5 SOCKET WELD FLANGE CLASS 150



ANSI, ASME, ASA B16.5 150lb/sq.in. SOCKET WELD FLANGE RF

Nominal Size		Outside Diam.	Thick. of Flange	Diam. of Raised Face	Diam of Hub at Base	Length Thru Hub	Diam. of Bore	Depth of Socket	No. of Holes	Diam. of Holes	Diam. of Bolts	Diam. of Bolt Circle	Approx. Weight Pounds Kg
		O	C	R	X	Y	B	D					
1/2"	in.	3.5	0.44	1.38	1.19	0.62	0.88	0.38	4	0.62	1/2	2.38	1
	mm.	88.9	11.2	35.1	30.2	15.7	22.4	9.7		15.7	12.7	60.5	0.5
3/4"	in.	3.88	0.5	1.69	1.5	0.62	1.09	0.44	4	0.62	1/2	2.75	2
	mm.	98.6	12.7	42.9	38.1	15.7	27.7	11.2		15.7	12.7	69.9	1
1"	in.	4.25	0.56	2	1.94	0.69	1.36	0.5	4	0.62	1/2	3.12	2
	mm.	108	14.2	50.8	49.3	17.5	34.5	12.7		15.7	12.7	79.2	1
1 1/4"	in.	4.62	0.62	2.5	2.31	0.81	1.7	0.56	4	0.62	1/2	3.5	3
	mm.	117.3	15.7	63.5	58.7	20.6	43.2	14.2		15.7	12.7	88.9	1
1 1/2"	in.	5	0.69	2.88	2.56	0.88	1.95	0.62	4	0.62	1/2	3.88	3
	mm.	127	17.5	73.2	65	22.4	49.5	15.7		15.7	12.7	98.6	1
2"	in.	6	0.75	3.62	3.06	1	2.44	0.69	4	0.75	5/8	4.75	5
	mm.	152.4	19.1	91.9	77.7	25.4	62	17.5		19.1	15.9	120.7	2
2 1/2"	in.	7	0.88	4.12	3.56	1.12	2.94	0.75	4	0.75	5/8	5.5	7
	mm.	177.8	22.4	104.6	90.4	28.4	74.7	19.1		19.1	15.9	139.7	3
3"	in.	7.5	0.94	5	4.25	1.19	3.57	0.81	4	0.75	5/8	6	8
	mm.	190.5	23.9	127	108	30.2	90.7	20.6		19.1	15.9	152.4	4
3 1/2"	in.	8.5	0.94	5.5	4.81	1.25	4.07		8	0.75	5/8	7	11
	mm.	215.9	23.9	139.7	122.2	31.8	103.4			19.1	15.9	177.8	5
4"	in.	9	0.94	6.19	5.31	1.31	4.57		8	0.75	5/8	7.5	13

	mm.	228.6	23.9	157.2	134.9	33.3	116.1			19.1	15.9	190.5	6
5"	in.	10	0.94	7.31	6.44	1.44	5.66		8	0.88	3/4	8.5	15
	mm.	254	23.9	185.7	163.6	36.6	143.8			22.4	19.1	215.9	7
6"	in.	11	1	8.5	7.56	1.56	6.72		8	0.88	3/4	9.5	19
	mm.	279.4	25.4	215.9	192	39.6	170.7			22.4	19.1	241.3	9
8"	in.	13.5	1.12	10.62	9.69	1.75	8.72		8	0.88	3/4	11.75	30
	mm.	342.9	28.4	269.7	246.1	44.5	221.5			22.4	19.1	298.5	14
10"	in.	16	1.19	12.75	12	1.94	10.88		12	1	7/8	14.25	43
	mm.	406.4	30.2	323.9	304.8	49.3	276.4			25.4	22.2	362	20
12"	in.	19	1.25	15	14.38	2.19	12.88		12	1	7/8	17	64
	mm.	482.6	31.8	381	365.3	55.6	327.2			25.4	22.2	431.8	29
14"	in.	21	1.38	16.25	15.75	2.25	14.14		12	1.12	1	18.75	90
	mm.	533.4	35.1	412.8	400.1	57.2	359.2			28.4	25.4	476.3	41
16"	in.	23.5	1.44	18.5	18	2.5	16.16		16	1.12	1	21.25	98
	mm.	596.9	36.6	469.9	457.2	63.5	410.5			28.4	25.4	539.8	44
18"	in.	25	1.56	21	19.88	2.69	18.18		16	1.25	1 1/8	22.75	130
	mm.	635	39.6	533.4	505	68.3	461.8			31.8	28.6	577.9	59
20"	in.	27.5	1.69	23	22	2.88	20.2		20	1.25	1 1/8	25	165
	mm.	698.5	42.9	584.2	558.8	73.2	513.1			31.8	28.6	635	75
24"	in.	32	1.88	27.25	26.12	3.25	24.25		20	1.38	1 1/4	29.5	220
	mm.	812.8	47.8	692.2	663.4	82.6	616			35.1	31.8	749.3	100

NOTE:

- (1) When these flanges are required with flat face, either the full thickness or thickness with raised face removed may be furnished. Users are reminded that removing the raised face will make the length through hub nonstandard.
- (2) This dimension is for large end of hub, which may be straight or tapered. threaded, slip - on, socket welding, and lapped flanges.
- (3) Socket Weld Flange Bore Size SCH10, SCH20, SCH30, STD, SCH40, SCH60, SCH80, SCH100, SCH 120, SCH140, SCH160 XS.